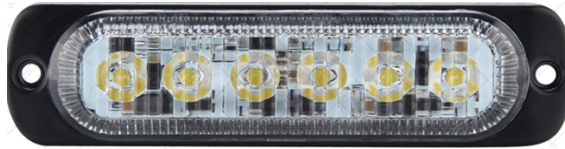




LED High Intensity Warning Light Part 0-441-75



WARNINGS

Before using this unit please read these instructions carefully. Take special care to follow the warnings and safety suggestions listed below. Keep these instructions for future reference.

SAFETY WARNING

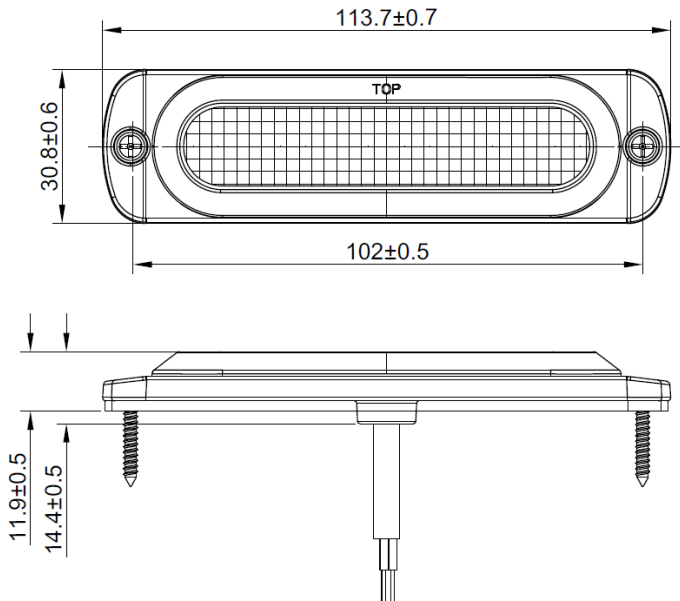
1. Proper installation of this product requires the installer to have a good understanding of automotive electronics, systems and procedures.
2. If mounting this product requires drilling holes, the installer **MUST** be sure that no vehicle components or other vital parts could be damaged by the drilling process. Check both sides of the mounting surface before drilling begins. Also de-burr the holes and remove any metal shards or remnants.
3. Do not install this product or route any wires in the deployment area of your air bag. Equipment mounted or located in the air bag deployment area will damage or reduce the effectiveness of the air bag, or become a projectile that could cause serious personal injury or death. Refer to your vehicle owner's manual for the air bag deployment area. The User/Installer assumes full responsibility to determine proper mounting location, based on providing ultimate safety to all passengers inside the vehicle.
4. Do not attempt to activate or control this device in a hazardous driving situation.
5. This product contains high-intensity LEDs. Do not stare directly into these lights. Momentary blindness and/or eye damage could result.
6. Use only soap and water to clean the outer lens. Use of other chemicals could result in premature lens cracking (crazing) and discoloration. Lenses in this condition have significantly reduced effectiveness. Inspect and operate this product regularly to confirm its proper operation and mounting condition. Do not use a pressure washer to clean this product.

7. It is recommended that these instructions be stored in a safe place and referred to when performing maintenance and/or reinstallation of this product.
8. For this product to operate at optimum efficiency, a good electrical connection to chassis ground must be made. The recommended procedure requires the product ground wire to be connected directly to the NEGATIVE (-) battery post.

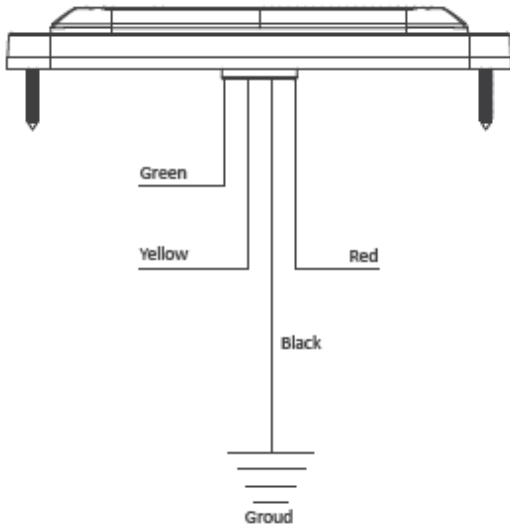
MOUNTING

1. Place the unit against the mounting surface.
2. Mark the areas where the mounting holes are to be drilled. Confirm that no vehicle parts could be damaged by the drilling process.
3. Using a bit size for a no. 304 metal screw, drill two mounting holes, a 0.5" diameter. Wire passage hole(s) must also be drilled. Thoroughly de-burr all hole(s).
4. Pass the wires through the hole(s) in the gasket and through the wire passage hole(s) in the mounting surface. Fix the light head to the mounting surface.

DIMENSIONAL DRAWING



WIRE SPECIFICATION



To +VDC (Fuse @ 3A)-----RED
 To Chassis Ground-----Black
 For Synchronization-----Yellow
 For Asynchronization-----Green

FLASH PATTERNS

19 Flash Patterns Total:

- | | | | |
|------------------|-----------------------|----------------|-------------------------|
| • Random | • Mega (split) | • Double (all) | • Single-Quad (all) |
| • Single (split) | • Ultra (split) | • Quad (all) | • Single H/L (all) |
| • Double (split) | • Single-Quad (split) | • Quint (all) | • Steady 2 (California) |
| • Quad (split) | • Single H/L (split) | • Mega (all) | • Steady 4 (all) |
| • Quint (split) | • Single (all) | • Ultra (all) | |

Grouping for Simultaneous Flash:

Connecting all units with black, red and yellow wires will synchronize all lightheads. Touching red wires to the yellow wires for 5 seconds will change the flash pattern (all units must be reset individually on the first same pattern to remain synced together on the same pattern). If you want to change the flash pattern synchronize, touching red wires to the yellow wires for 1 second will change the flash pattern. Note: If the light could not be synced please repeat STEP 1.

Grouping for Alternating Flash:

Connecting all units with black, red and yellow wires will synchronize all lightheads. Touching red wires to the yellow wires for 5 seconds will change the flash pattern (all heads must be reset individually on the same pattern first to remain synced together on the same patterns). Connecting one unit or some units green wires to the red wire will make them alternating flash. Do not connect Yellow to the red wires, all units remain synced together on the same patterns. If the units could not achieve alternating flash, please repeat STEP 1.

SPECIFICATIONS

Type.....Ultra high intensity LED
Colour.....Red
Number of LEDs.....6 x 0.5 watt (3W Total)
Voltage.....12/24 volt dc
Current.....0.25A at 12VDC / 0.12A at 24VDC
Flash patterns.....19
Base.....Aluminium
Lens.....PC
Operating temperature.....-30°C-+65°C
Protection.....IP67
Weight.....60g
Dimensions..... Please see drawing page 2
Compliance.....UKCA CE, EMC R10