

# auto electrical parts

## Technical Information Sheet

**Part No. 0-531-30**

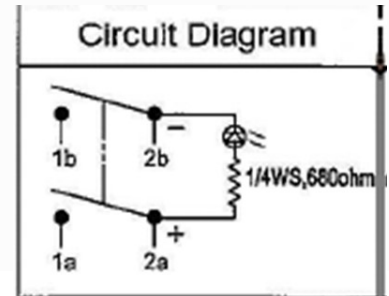
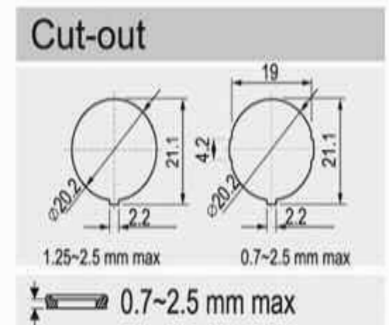
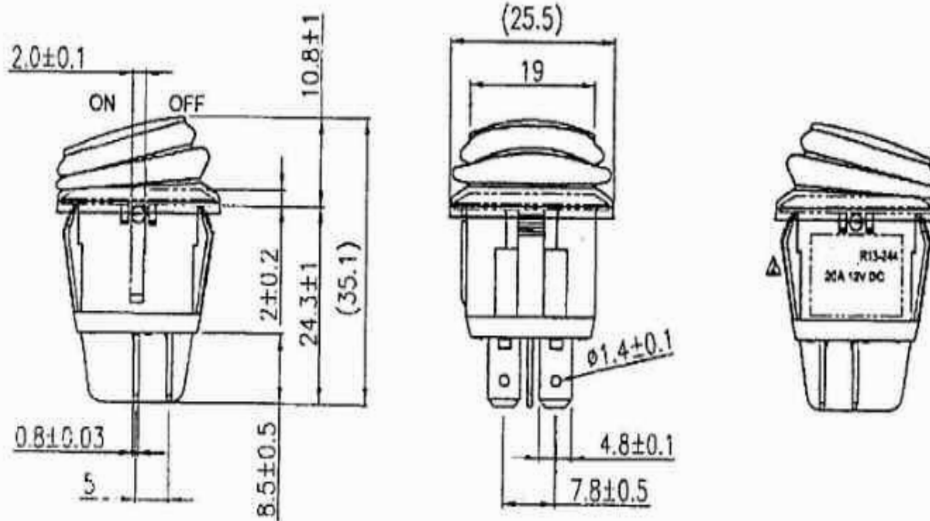
12 Volt Illuminated Amber Round Rocker Switch

Durite's 12 Volt Illuminated amber Round Rocker Switch.  
12 volt 20 Amps DC. 50 ohm max. 4DPST on-off switch.

Actual Lens Colour: Amber



Technical Drawing (not to scale)



### Specification

|                       |  |
|-----------------------|--|
| Voltage               | 12 Volt  |
| Amps                  | 20A  |
| Contact Resistance    | 50 Ohm Max   |
| Insulation Resistance | DC 500V 100M Ohm Min.  |
| Diaelectric Strength  | AC 1500V 1 Minute  |
| Operation Temperature | -25 to 85C   |
| Switch Function       | 4P DPST  |
| IP Rating             | IP65   |
| Material:             | Waterproof Rubber Silicone, Silver Plated Copper Alloy Terminals |
| Colour                | Black body / Amber Lens  |
| Certificate           | n/a  |
| Dimensions            | Please see above (dimensions in mm)                              |

The information contained in this document is correct to the best of our knowledge at the time of printing. However, specifications may change at any time without notice.