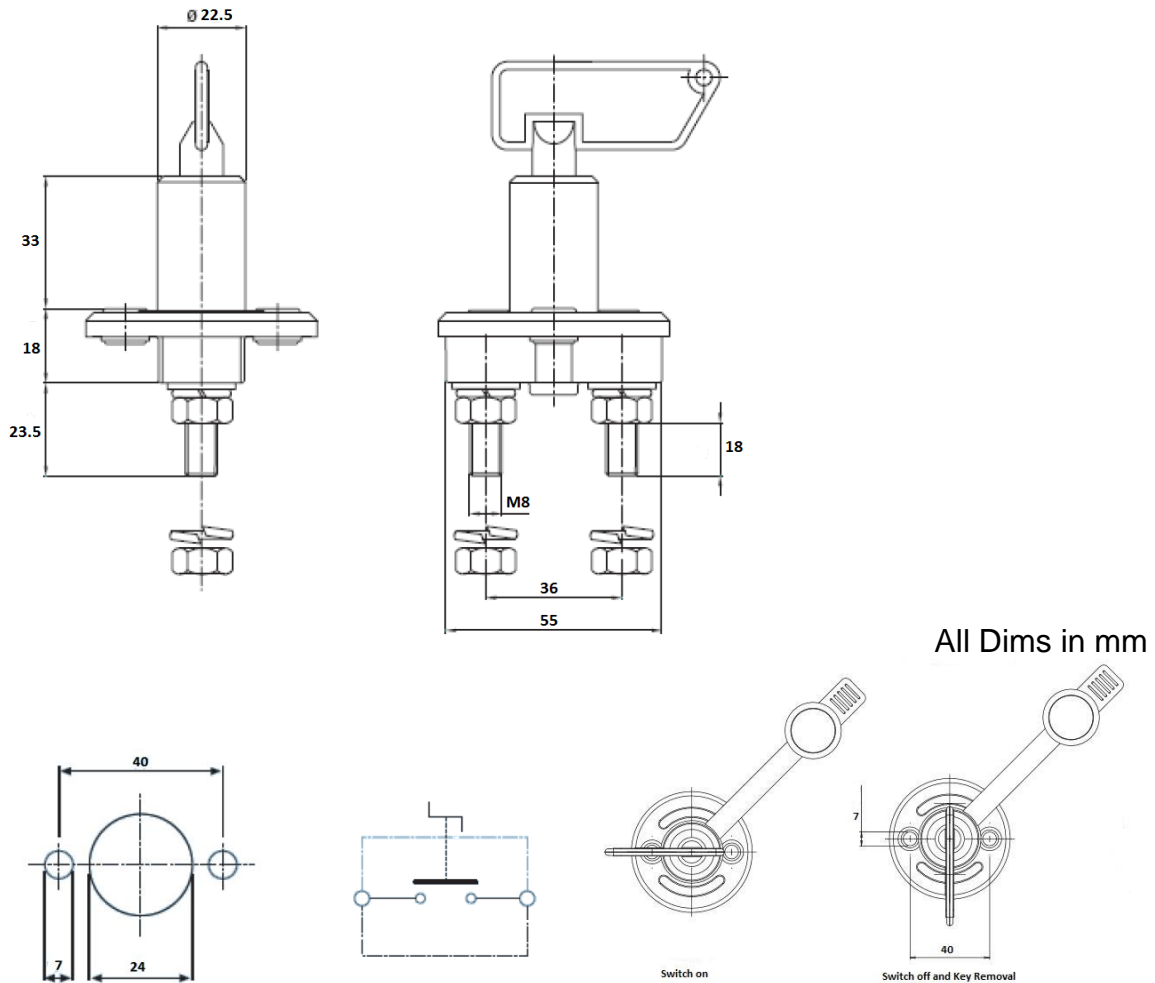


Technical Information Sheet

Part No. 0-605-00

Battery Isolator Switch

Battery isolator rated at 100A:24V ; 500A for 5 seconds. With removeable key in the "Off" position. Splash-proof cover supplied with key and splash-proof cap for use when the key is removed.



Specification

| | |
|-----------------------|------------------|
| Type | Battery Isolator |
| Voltage | 12/24V |
| Max Continuous Load | 100A at 24V |
| Max Intermittant Load | 500A for 5 secs |
| Terminals | M8 Bolts |

The information provided in this document is correct to the best of our knowledge at time of printing. However, specifications may change at any time without notice.