

# auto electrical parts

## Technical Information Sheet

### Part No. 0-741-20 to 39

Programmed pulse timer relay, 24 volt, individually programmed 'PIC' controlled timer.

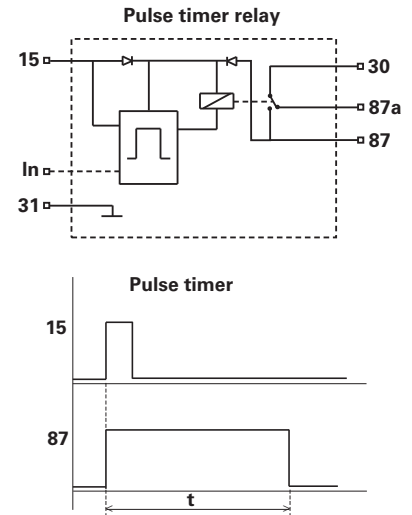
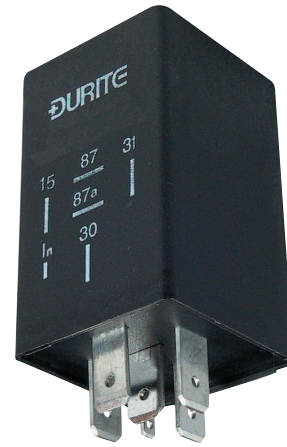
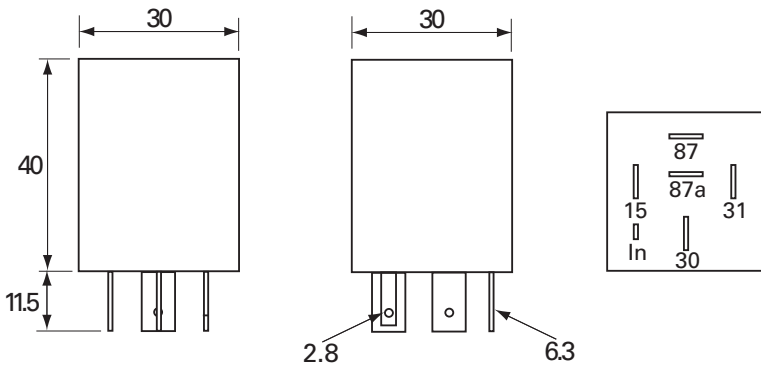
#### Additional information

Terminal designation:

15	(4)	Switched +ve
In	(1)	Not used
31	(6)	Ground
30	(2)	+ve supply
87	(8)	Normally Open Contact
87a	(5)	Normally Closed Contact

NB. Non interruptable, further pulses to 15 ignored during timer period.

#### Technical Drawing (not to scale)



#### Specification

Type	Pulse timer relay
Voltage	24 volt dc
Current	10/15 amp
Timing	±10%
Housing	Nylon PA6.6
Temperature	-40°C to +80°C
Protection	IP54
Terminals	5 x 6.3mm and 1 x 2.8mm lucar, tinned brass
Weight	40g
Dimensions	l 30 x w 30 x h 40mm (excluding terminals)

The information contained in this document is correct to the best of our knowledge at the time of printing. However, specifications may change at any time without notice.