

PD3 & PD4



A choice of 4 variants to suit all budgets and applications, including PIR options



Increased light spread



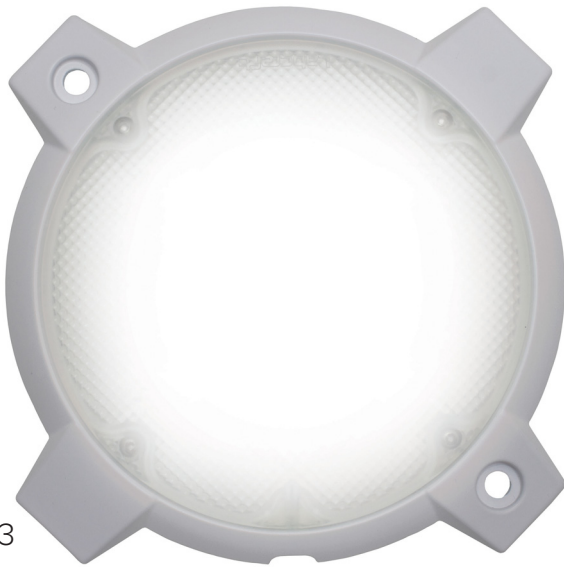
Waterproof to IP66



Low profile surface mount and recessed options



ECE-R10 approved



PD3

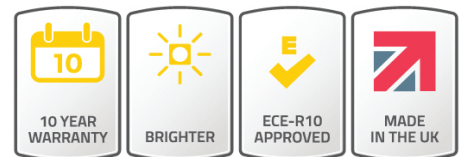


PD4

TECHNICAL SPECS OVERLEAF 
MAY 2022



DESIGNED FOR MULTI-SECTOR APPLICATIONS



PD3 & PD4

Choice of 4 variants - High output Cree LED technology produces a clean white light and creates a bright and safe working environment with a choice of 740, 850, 1280 & 1310 lumens to suit all budgets & applications. The 4-1MV and 4-3MV variants are also available with a built in 5 minute PIR switch/sensor* option.

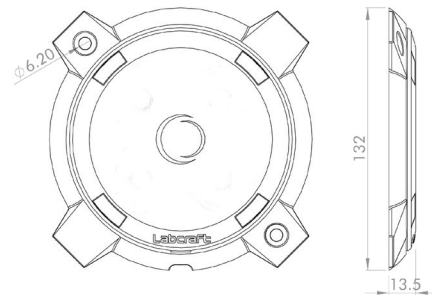
Increased light spread - Engineered to suit a broad range of applications, the new clear lens offers increased light spread over a wider area.

Waterproof to IP66 - The Megalux is suitable for installation in a variety of environments, including refrigerated vehicles.

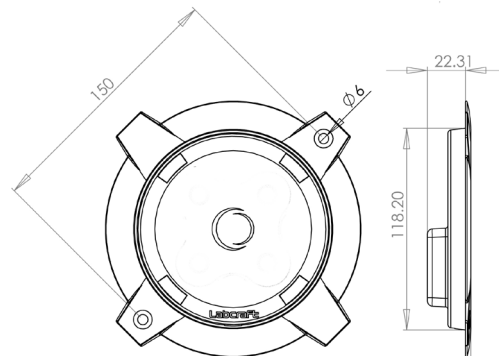
Low profile designs - At just 14mm deep for the surface mount version and only 3mm for the recessed unit, these lights can be fitted in a multitude of applications.



PD3



PD4



SPECIFICATION

ALL DIMENSIONS HAVE A TOLERANCE OF +/-1mm

		PD_24 (12VDC)	PD_36 (12VDC)	PD_4-1MV (12VDC)	PD_4-3MV (12VDC)	PD_24/2 (24VDC)	PD_36/2 (24VDC)	PD_4-1MV (24VDC)	PD_4-3MV (24VDC)
Voltage Range	VDC	10-14	10-14	10-14	10-32	20-28	20-28	10-32	10-32
Average Current	A	0.44	0.66	0.48	0.9	0.22	0.33	0.26	0.54
Light Output	lm	850	1280	740	1310	850	1280	740	1310
Watts	W	6W	8W	5W	10W	6W	8W	5W	10W
Weight	kg	0.14	0.14	0.15	0.15	0.14	0.14	0.15	0.15
Temp. Range	°C	-30 to +40	-30 to +40	-30 to +40	-30 to +40	-30 to +40	-30 to +40	-30 to +40	-30 to +40
IP Rating	IP	IP66	IP66	IP66	IP66	IP66	IP66	IP66	IP66

E & OE I Calculations based on average LED values @ 13.2V (for 12V models) and @ 26V (for 24V)

*3 year warranty

